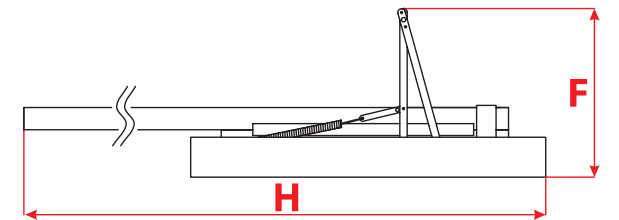
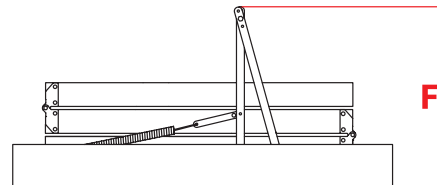
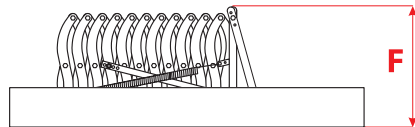
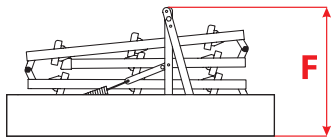
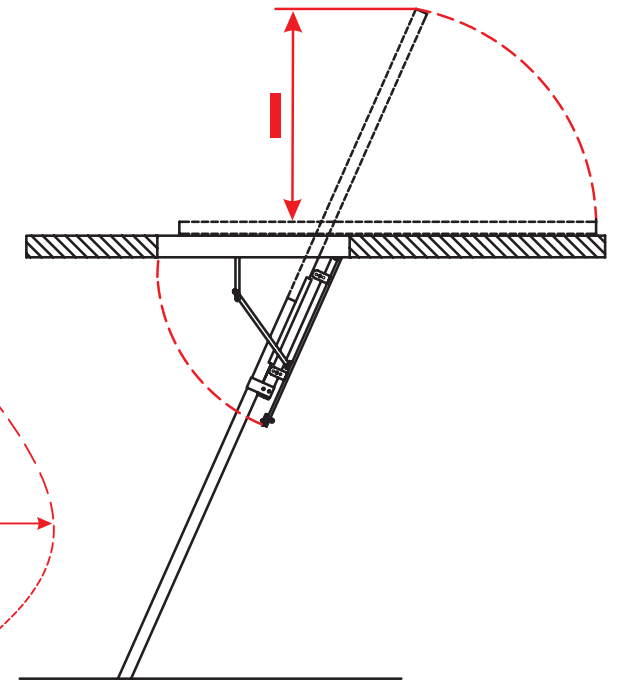
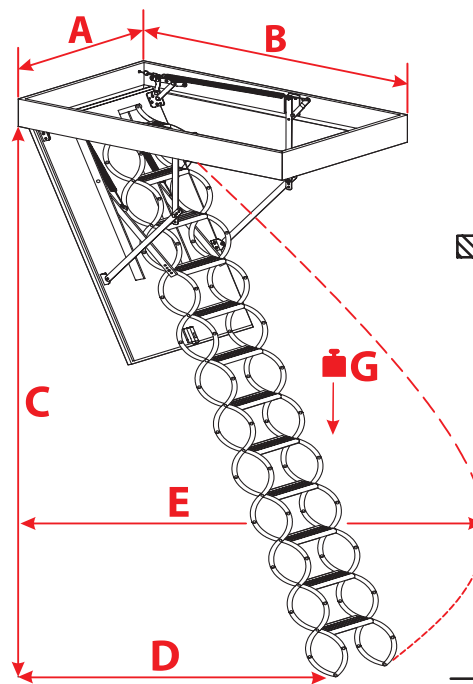
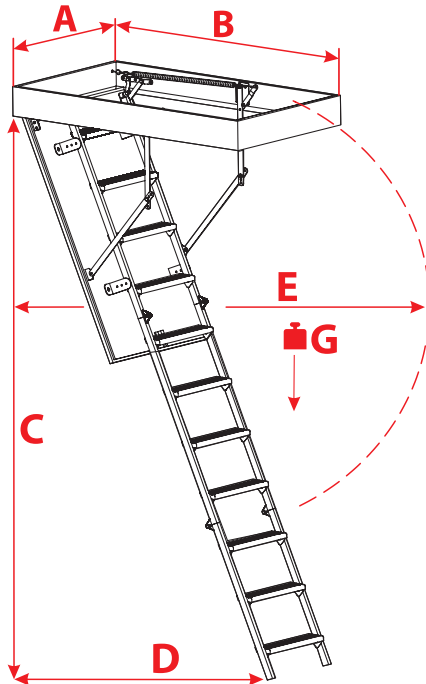
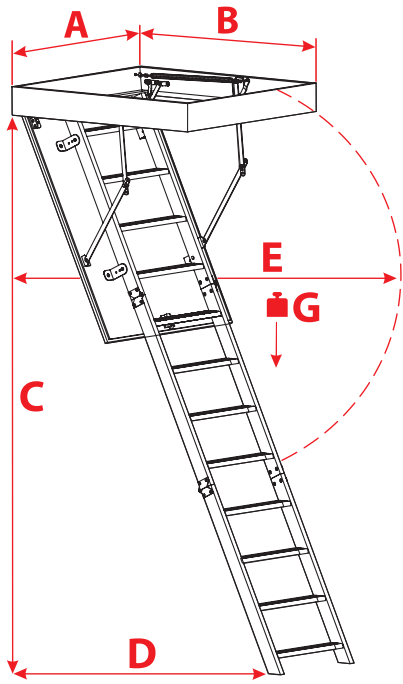


# TECHNICAL DRAWINGS



# CLASSIC

|                             |                                    | POLAR        |          |          |          |          |          |          |          |          |          | POLAR PLUS |              | MAXI     |          |          |              | EXTRA    |          |          |          |          |            | TERMO PS |          |          |          |          |          |          |          |          |          |          |          |          |          |          |          |          |          |          |
|-----------------------------|------------------------------------|--------------|----------|----------|----------|----------|----------|----------|----------|----------|----------|------------|--------------|----------|----------|----------|--------------|----------|----------|----------|----------|----------|------------|----------|----------|----------|----------|----------|----------|----------|----------|----------|----------|----------|----------|----------|----------|----------|----------|----------|----------|----------|
| DIMENSIONS                  | B x A                              | 113 x 55     | 113 x 60 | 113 x 70 | 120 x 55 | 120 x 60 | 120 x 70 | 130 x 55 | 130 x 60 | 130 x 70 | 140 x 55 | 140 x 60   | 140 x 70     | 120 x 60 | 120 x 70 | 120 x 55 | 120 x 60     | 120 x 70 | 130 x 55 | 130 x 60 | 130 x 70 | 110 x 55 | 110 x 60   | 110 x 70 | 120 x 55 | 120 x 60 | 120 x 70 | 130 x 55 | 130 x 60 | 130 x 70 | 110 x 55 | 110 x 60 | 110 x 70 | 120 x 55 | 120 x 60 | 120 x 70 | 130 x 55 | 130 x 60 | 130 x 70 | 140 x 55 | 140 x 60 | 140 x 70 |
|                             | C                                  | 280 cm       |          |          |          |          |          |          |          |          |          |            |              |          |          |          |              |          |          |          |          |          |            |          |          |          |          |          |          |          |          |          |          |          |          |          |          |          |          |          |          |          |
|                             | D                                  | 139 cm       | 147 cm   |          |          |          |          |          |          |          |          |            | 151 cm       |          | 128 cm   | 142 cm   |              |          |          |          |          | 134 cm   | 148 cm     |          |          |          |          |          |          |          |          |          |          |          |          |          |          |          |          |          |          |          |
|                             | E                                  | 165 cm       | 169 cm   |          |          |          |          |          |          |          |          |            | 168 cm       |          | 161 cm   | 165 cm   |              |          |          |          |          | 160 cm   | 166 cm     |          |          |          |          |          |          |          |          |          |          |          |          |          |          |          |          |          |          |          |
|                             | F                                  | 59 cm        | 62 cm    |          |          |          |          |          |          |          |          |            | 60 cm        |          | 58 cm    |          |              |          |          |          | 58 cm    |          |            |          |          |          |          |          |          |          |          |          |          |          |          |          |          |          |          |          |          |          |
|                             | G                                  | 160 kg       |          |          |          |          |          |          |          |          |          |            |              |          |          |          |              |          |          |          |          |          |            |          |          |          |          |          |          |          |          |          |          |          |          |          |          |          |          |          |          |          |
| NON-STANDARD BOX DIMENSIONS | MIN-MAX LENGTH                     | 113 - 140 cm |          |          |          |          |          |          |          |          |          | ON INQUIRY | 113 - 130 cm |          |          |          | 110 - 140 cm |          |          |          |          |          |            |          |          |          |          |          |          |          |          |          |          |          |          |          |          |          |          |          |          |          |
|                             | MIN-MAX WIDTH                      | 54 - 80 cm   |          |          |          |          |          |          |          |          |          | ON INQUIRY | 54 - 70 cm   |          |          |          | 54 - 80 cm   |          |          |          |          |          | 54 - 85 cm |          |          |          |          |          |          |          |          |          |          |          |          |          |          |          |          |          |          |          |
|                             | MINIMAL DIMENSION                  | 113 x 54 cm  |          |          |          |          |          |          |          |          |          | ON INQUIRY | 113 x 54 cm  |          |          |          | 110 x 54 cm  |          |          |          |          |          |            |          |          |          |          |          |          |          |          |          |          |          |          |          |          |          |          |          |          |          |
| ADDITIONAL ACCESSORIES      | HATCH BALUSTRADE DSS B             | ✓            |          |          |          |          |          |          |          |          |          | ✓          |              |          |          |          |              |          |          |          |          |          |            |          |          |          |          |          |          |          |          |          | ✓        |          |          |          |          |          |          |          |          |          |
|                             | MASKING BATTEN DSS LM-1            | ✓            |          |          |          |          |          |          |          |          |          | ●          |              |          |          |          |              |          |          |          |          |          |            |          |          |          |          |          |          |          |          |          | ✓        |          |          |          |          |          |          |          |          |          |
|                             | MOUNTING SYSTEM DSS ZM-1           |              |          |          |          |          |          |          |          |          |          |            |              |          |          |          |              |          |          |          |          | ✓        |            |          |          |          |          |          |          |          |          |          |          |          |          |          |          |          |          |          |          |          |
|                             | PROTECTIVE FEET DSS S-1            |              |          |          |          |          |          |          |          |          |          |            |              |          |          |          |              |          |          |          |          | ●        |            |          |          |          |          |          |          |          |          |          |          |          |          |          |          |          |          |          |          |          |
|                             | ADDITIONAL LADDER SECTION DSS DS-1 | ✗            | ✓        |          |          |          |          |          |          |          |          |            | ✗            |          | ✓        |          |              |          |          |          | ✗        | ✓        |            |          |          |          |          |          |          |          |          |          |          |          |          |          |          |          |          |          |          |          |
|                             | ADDITIONAL STEP DSS DS-2           |              |          |          |          |          |          |          |          |          |          | ●          | ✓            |          |          |          |              |          | ✗        |          |          |          |            |          |          |          |          |          |          |          |          |          |          |          |          |          |          |          |          |          |          |          |
|                             | ADDITIONAL FLEX STEP DSS DS-3      |              |          |          |          |          |          |          |          |          |          |            |              |          |          |          |              |          |          |          |          | ✗        |            |          |          |          |          |          |          |          |          |          |          |          |          |          |          |          |          |          |          |          |
|                             | HANDRAIL DSS P-1/DSS P-2           | ● / ✓ *      |          |          |          |          |          |          |          |          |          | ●          | ● / ✓ *      |          |          |          | ✓            |          |          |          |          |          | ● / ✓ *    |          |          |          |          |          |          |          |          |          |          |          |          |          |          |          |          |          |          |          |

● - INCLUDED

✓ - POSSIBILITY OF PURCHASE

✗ - NO POSSIBILITY OF MOUNTING

\* - ADDITIONAL HANDRAIL TO THE OTHER SIDE OF THE LADDER

Unusual dimensions available in full sizes. The size of untypical stairs can not exceed 1m2.

# MINI

|                             |                                    | MINI POLAR  |         |         |         |          |          |          |          |          |          |          | MINI EXTRA  |         |         |         |         |          | MINI TERMO  |         |         |         |         |          |          |
|-----------------------------|------------------------------------|-------------|---------|---------|---------|----------|----------|----------|----------|----------|----------|----------|-------------|---------|---------|---------|---------|----------|-------------|---------|---------|---------|---------|----------|----------|
| DIMENSIONS                  | B x A                              | 90 x 50     | 90 x 55 | 90 x 60 | 90 x 70 | 100 x 50 | 100 x 55 | 100 x 60 | 100 x 70 | 110 x 50 | 110 x 55 | 110 x 60 | 110 x 70    | 80 x 60 | 80 x 70 | 90 x 60 | 90 x 70 | 100 x 60 | 100 x 70    | 80 x 60 | 80 x 70 | 90 x 60 | 90 x 70 | 100 x 60 | 100 x 70 |
|                             | C                                  | 265 cm      |         |         |         |          |          |          |          |          |          |          | 260 cm      |         | 265 cm  |         | 260 cm  |          | 265 cm      |         |         |         |         |          |          |
|                             | D                                  | 149 cm      |         |         |         | 142 cm   |          |          |          |          |          |          | 103 cm      |         | 130 cm  |         | 101 cm  |          | 135 cm      |         |         |         |         |          |          |
|                             | E                                  | 132 cm      |         |         |         | 133 cm   |          |          |          |          |          |          | 120 cm      |         | 125 cm  |         | 115 cm  |          | 126 cm      | 125 cm  |         |         |         |          |          |
|                             | F                                  | 51 cm       |         |         |         |          |          |          |          |          |          |          | 47 cm       |         |         |         |         |          |             |         |         |         |         |          |          |
|                             | G                                  | 160 kg      |         |         |         |          |          |          |          |          |          |          |             |         |         |         |         |          |             |         |         |         |         |          |          |
| NON-STANDARD BOX DIMENSIONS | MIN-MAX LENGTH                     | 90 - 110 cm |         |         |         |          |          |          |          |          |          |          | 80 - 110 cm |         |         |         |         |          | 80 - 110 cm |         |         |         |         |          |          |
|                             | MIN-MAX WIDTH                      | 50 - 80 cm  |         |         |         |          |          |          |          |          |          |          | 60 - 80 cm  |         |         |         |         |          | 60 - 85 cm  |         |         |         |         |          |          |
|                             | MINIMAL DIMENSION                  | 90 x 50 cm  |         |         |         |          |          |          |          |          |          |          | 80 x 60 cm  |         |         |         |         |          | 80 x 57 cm  |         |         |         |         |          |          |
| ADDITIONAL ACCESSORIES      | HATCH BALUSTRADE DSS B             |             |         |         |         |          |          |          |          |          |          |          | ✓           |         |         |         |         |          |             |         |         |         |         |          |          |
|                             | MASKING BATTEN DSS LM-1            |             |         |         |         |          |          |          |          |          |          |          | ✓           |         |         |         |         |          |             |         |         |         |         |          |          |
|                             | MOUNTING SYSTEM DSS ZM-1           |             |         |         |         |          |          |          |          |          |          |          | ✓           |         |         |         |         |          |             |         |         |         |         |          |          |
|                             | PROTECTIVE FEET DSS S-1            |             |         |         |         |          |          |          |          |          |          |          | ●           |         |         |         |         |          |             |         |         |         |         |          |          |
|                             | ADDITIONAL LADDER SECTION DSS DS-1 |             |         |         |         |          |          |          |          |          |          |          | ✗           |         |         |         |         |          |             |         |         |         |         |          |          |
|                             | ADDITIONAL STEP DSS DS-2           |             |         |         |         | ●        |          |          |          |          |          |          | ✗           |         |         |         |         |          |             |         |         |         |         |          |          |
|                             | ADDITIONAL FLEX STEP DSS DS-3      |             |         |         |         |          |          |          |          |          |          |          | ✗           |         |         |         |         |          |             |         |         |         |         |          |          |
|                             | HANDRAIL DSS P-1/DSS P-2           |             |         |         |         |          |          |          |          | ● / ✓ *  |          |          |             |         |         |         |         |          |             |         | ✓       |         |         |          |          |

● - INCLUDED

✓ - POSSIBILITY OF PURCHASE

✗ - NO POSSIBILITY OF MOUNTING

\* - ADDITIONAL HANDRAIL TO THE OTHER SIDE OF THE LADDER

Unusual dimensions available in full sizes. The size of untypical stairs can not exceed 1m2.